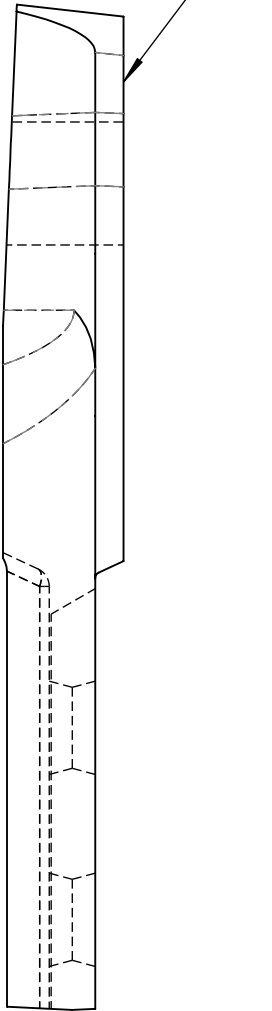
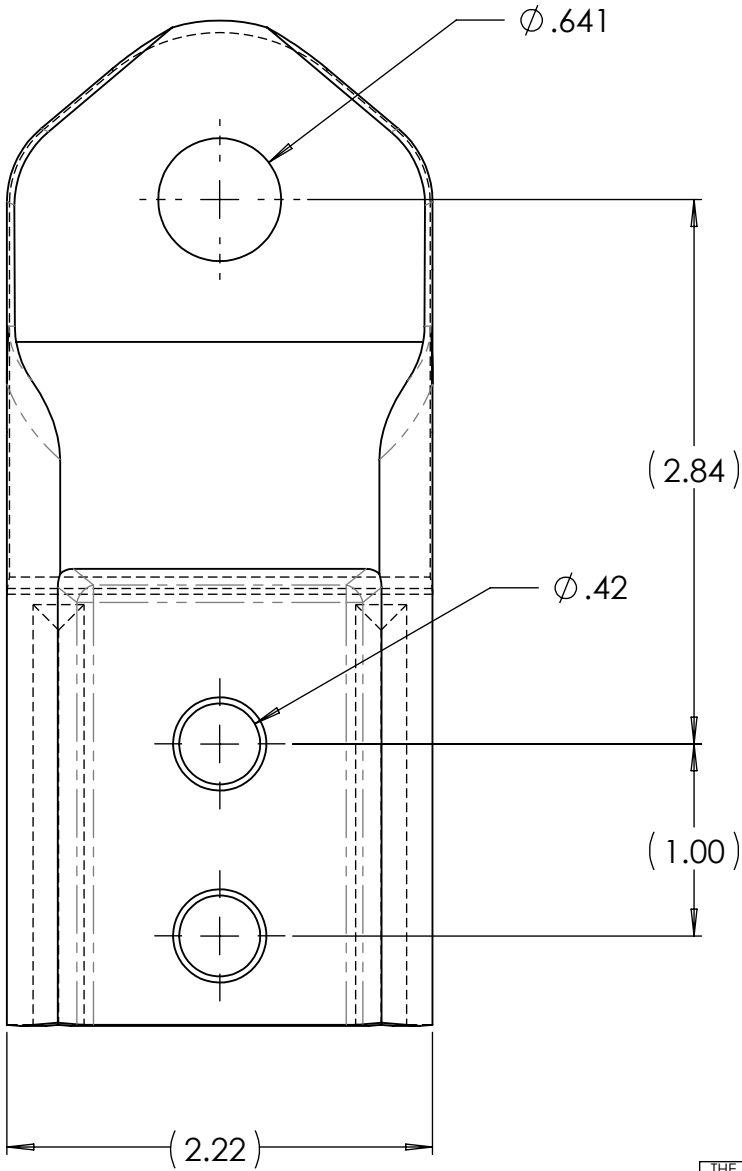



| REVISIONS | | | |
|-----------|---|------------|----------|
| REV. | DESCRIPTION | DATE | APPROVED |
| B | ADDED LEADER NOTE: SURFACE MADE FLAT TO MATCH THE PATTERN | 10/11/2023 | TRC |

Ⓑ SURFACE MADE FLAT TO MATCH THE PATTERN



MATERIAL: 535 ALUMINUM

| | | | | |
|---|--|--|--|---------------------------|
| THE INFORMATION CONTAINED IN THIS DRAWING IS THE SOLE PROPERTY OF SKYBRACKET. ANY REPRODUCTION IN PART OR WHOLE WITHOUT THE WRITTEN PERMISSION OF SKYBRACKET IS PROHIBITED. | | |  SKYBRACKET MAST ARM MOUNTING HARDWARE | |
| APPROVALS DRAWN SALES ENGINEERING | | | TITLE HANGER BAR SHORT | |
| BY TRC | | | DATE 5/20/2021 | |
| DO NOT SCALE DRAWING | | | SIZE A | DWG. NO. 10-037 |
| | | | SCALE: NTS CAD FILE: 10-037 | REV B |
| | | | SHEET 1 OF 1 | |