

ALUMINUM
1 1/2 x 12" NPS NIPPLE

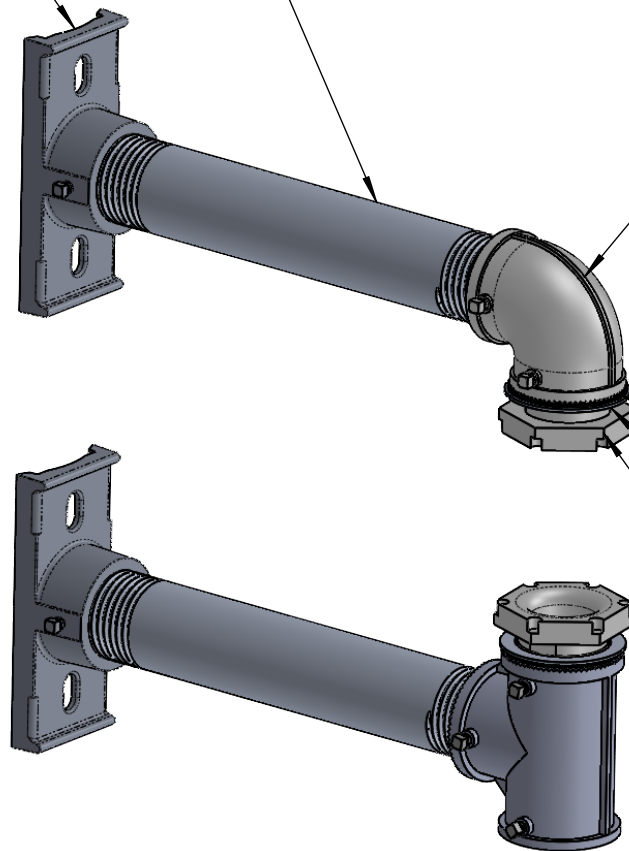
ALUMINUM
POLE PLATE

ALUMINUM
ELBOW

RUBBER WASHER

STEEL WASHER

ALUMINUM
LOCK NIPPLE



THE INFORMATION CONTAINED IN THIS DRAWING IS THE SOLE PROPERTY OF SKYBRACKET. ANY REPRODUCTION IN PART OR WHOLE WITHOUT THE WRITTEN PERMISSION OF SKYBRACKET IS PROHIBITED.

SKYBRACKET
MAST ARM MOUNTING HARDWARE

APPROVALS	BY	DATE
DRAWN	TRC	6/3/24
SALES		
ENGINEERING		

TITLE		12" SIDE OF POLE ARM ASSEMBLY (SET)	
SIZE	DWG. NO.	REV	
A	13-025	-	

DO NOT SCALE DRAWING

SCALE: NTS CAD FILE:13-025

SHEET 1 OF 1