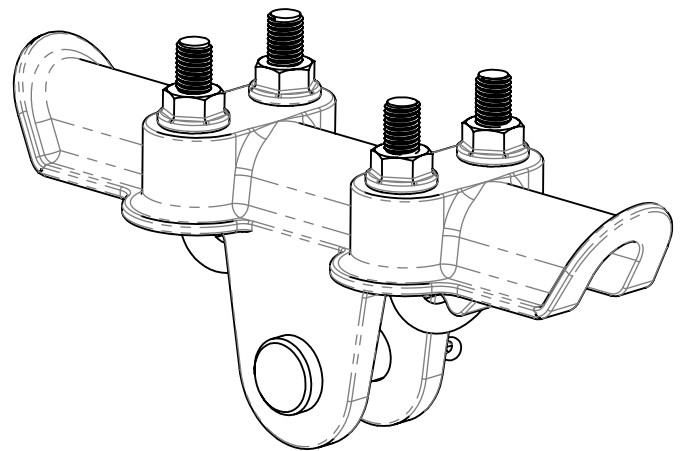


- NOTES:
1. STAINLESS STEEL HARDWARE.
 2. PLATED STEEL HARDWARE AVAILABLE.



THE INFORMATION CONTAINED IN THIS DRAWING IS THE SOLE PROPERTY OF SKYBRACKET. ANY REPRODUCTION IN PART OR WHOLE WITHOUT THE WRITTEN PERMISSION OF SKYBRACKET IS PROHIBITED.



APPROVALS	BY	DATE
DRAWN	TRC	05/27/20
SALES		
ENGINEERING		

TITLE		
SPAN WIRE CLAMP		
SIZE	DWG. NO.	REV
A	16-002	-