

TUBULAR SPREADER  
CAST 535 ALUMINUM

CAST IN STUDS

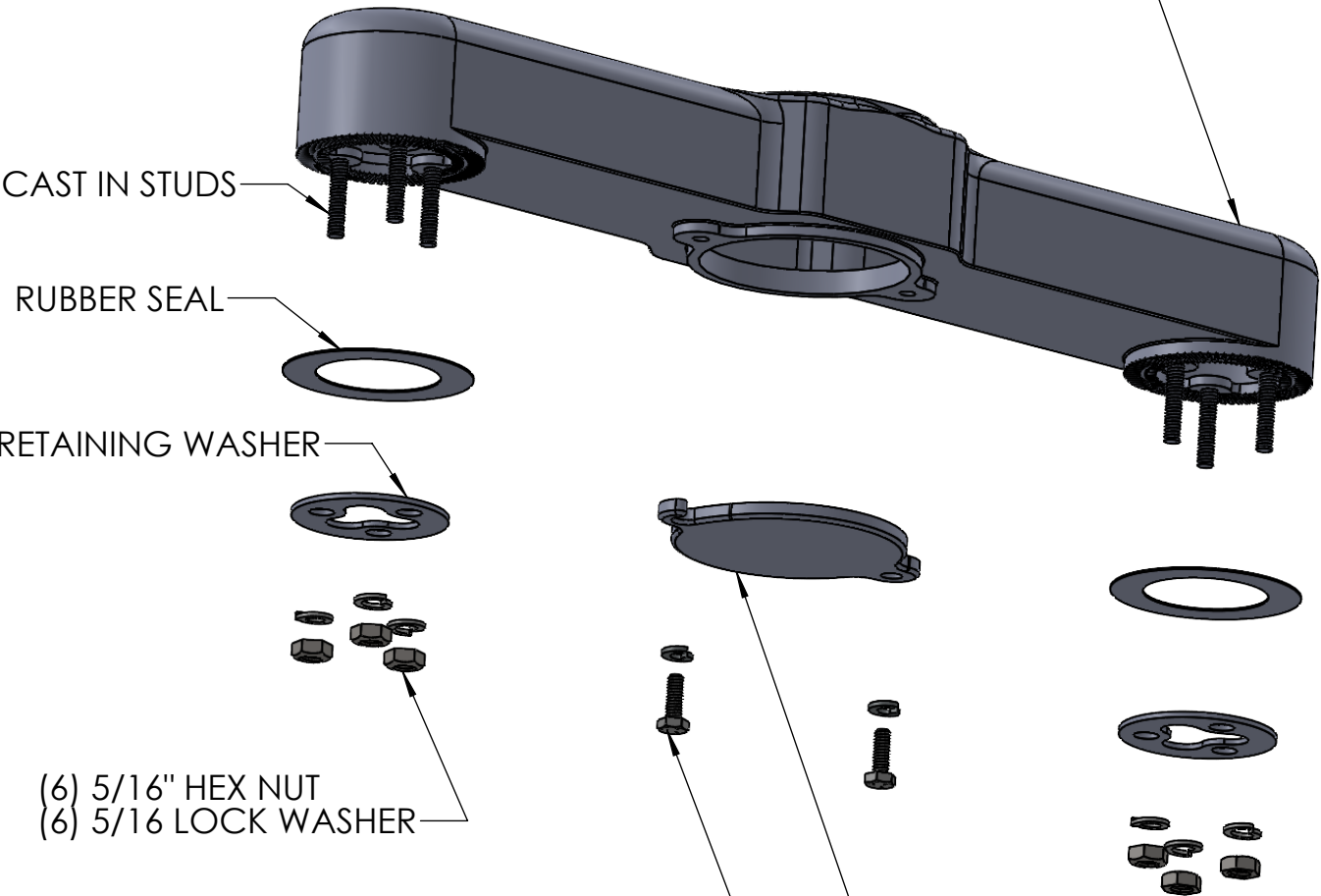
RUBBER SEAL

RETAINING WASHER

(6) 5/16" HEX NUT  
(6) 5/16" LOCK WASHER

(2) 1/4" HEX HEAD BOLT  
(2) 1/4" LOCK WASHER

COVER  
CAST 535 ALUMINUM



NOTES:

1. STAINLESS STEEL HARDWARE.
2. PLATED STEEL HARDWARE AVAILABLE.

THE INFORMATION CONTAINED IN THIS DRAWING IS THE SOLE PROPERTY OF SKYBRACKET. ANY REPRODUCTION IN PART OR WHOLE WITHOUT THE WRITTEN PERMISSION OF SKYBRACKET IS PROHIBITED.



APPROVALS	BY	DATE
	TRC	05/27/20
SALES		
ENGINEERING		

TITLE		2-WAY TUBULAR SPREADER	
SIZE	DWG. NO.	REV	
A	16-006	-	