

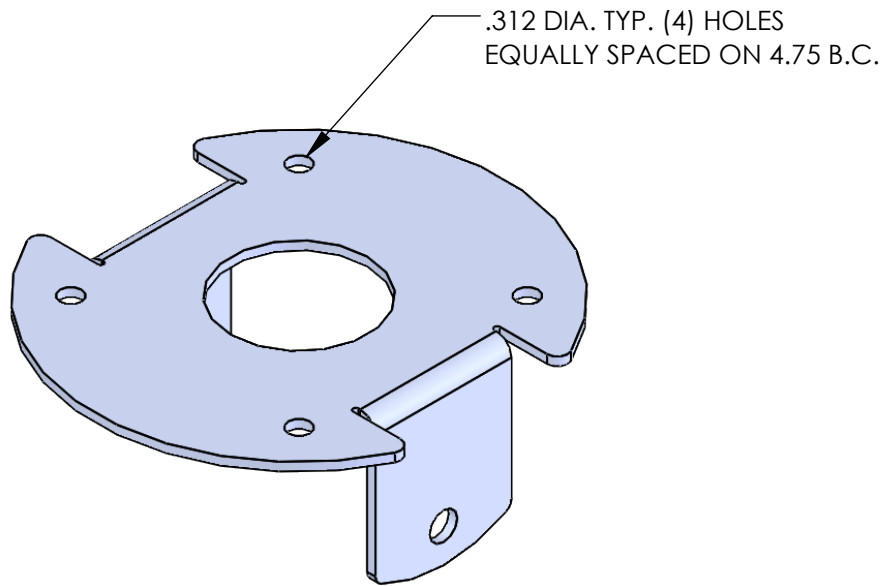
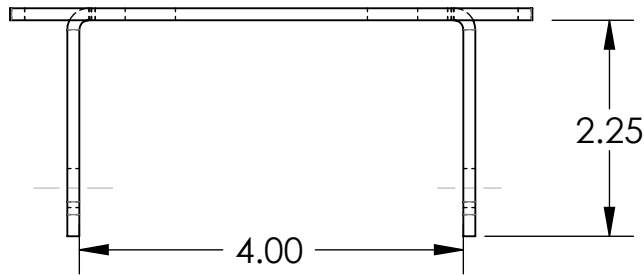
4

3

2

1

THE INFORMATION CONTAINED IN THIS DRAWING IS THE SOLE PROPERTY OF OLSON ALUMINUM CASTINGS. ANY REPRODUCTION IN PART OR WHOLE WITHOUT THE WRITTEN PERMISSION OF OLSON ALUMINUM CASTINGS IS PROHIBITED.



UNLESS OTHERWISE SPECIFIED
DIMENSIONS ARE IN INCHES
TOLERANCES ARE:
FRACTIONS DECIMALS ANGLES
.XX +/- .015 +/- 1/2
.XXX +/- .005

MATERIAL SEE NOTE

FINISH --

DO NOT SCALE DRAWING

CAD GENERATED DRAWING,
DO NOT MANUALLY UPDATE

APPROVALS		DATE
DRAWN	ZU	01/2011
CHECKED		
RESP ENG	ZU	01/2011
MFG ENG		
QUAL ENG		

SW BRACKET
MAST ARM MOUNTING HARDWARE

**SIDE WINDER
CAMERA MOUNT**

SIZE B	DWG. NO. SB-6RPLT	REV.
SCALE: 1:4	CAD FILE:	SHEET OF

8

3

7

2

6

1

5