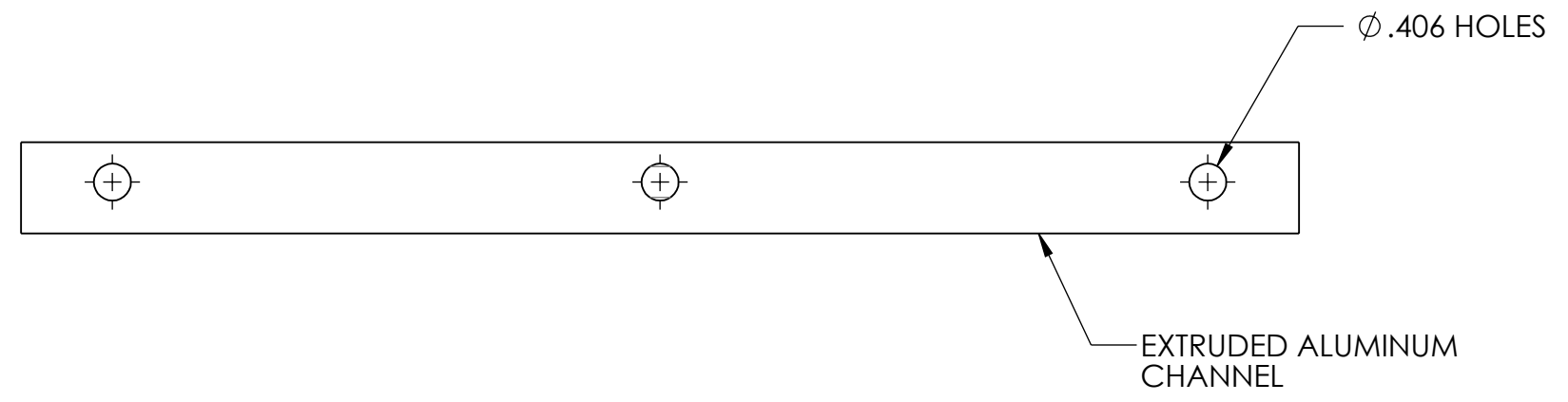
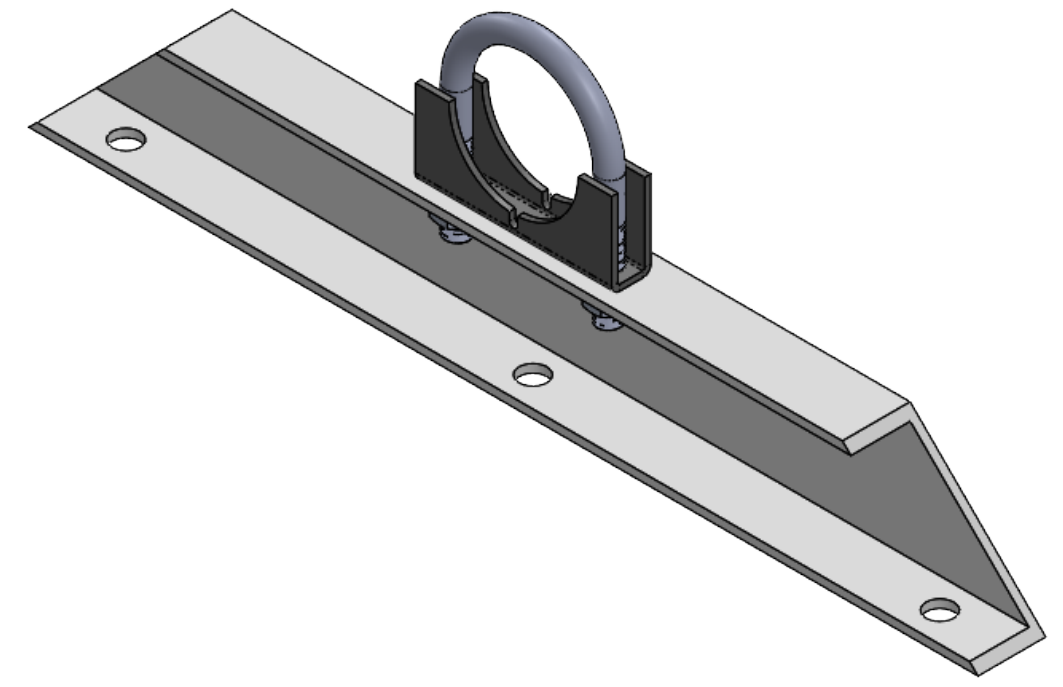
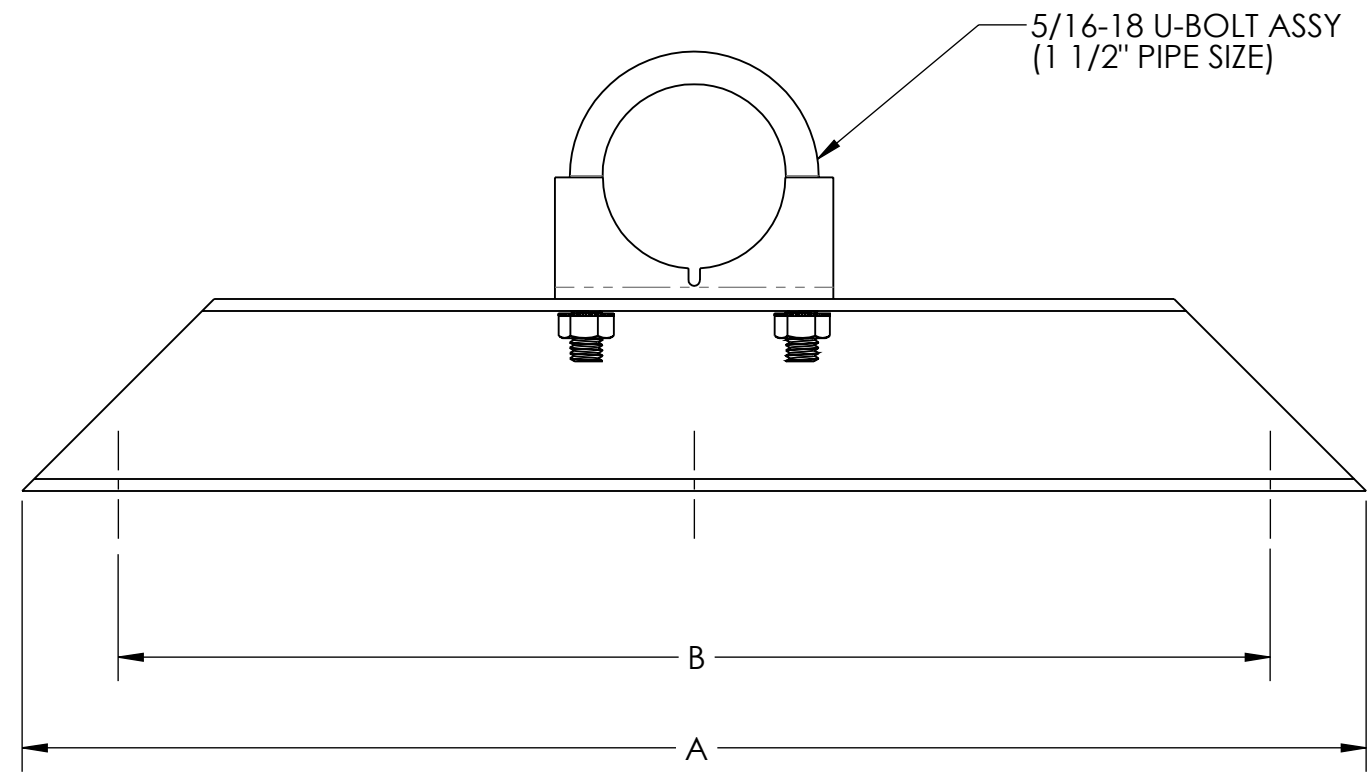


8 7 6 5 4 3 2 1

D
C
B
A

D
C
B



NOTE: 3 CHANNEL ASSEMBLIES PER KIT.

SB-SB3-23	24	22
SB-SB3-14	14	12
SB-SB3-8	8	6
PART NUMBER	DIM A	DIM B

UNLESS OTHERWISE SPECIFIED DIMENSIONS ARE IN INCHES TOLERANCES ARE: FRACTIONS DECIMALS ANGLES .XX +/- .010 +/- 1/2 .XXX +/- .005	CAD GENERATED DRAWING, DO NOT MANUALLY UPDATE		
	APPROVALS	DATE	
	DRAWN TRC	9/28/22	
	CHECKED		
MATERIAL N/A	RESP ENG		<h3>CHANNEL KIT DATA SHEET</h3>
FINISH --	MFG ENG		
DO NOT SCALE DRAWING	QUAL ENG		
SIZE B		DWG. NO. SB-SB3-8	REV. A
SCALE: NTS		CAD FILE:	SHEET 1 OF 1

THE INFORMATION CONTAINED IN THIS DRAWING IS THE SOLE PROPERTY OF OLSON ALUMINUM CASTINGS. ANY REPRODUCTION IN PART OR WHOLE WITHOUT THE WRITTEN PERMISSION OF OLSON ALUMINUM CASTINGS IS PROHIBITED.

8 7 6 5 4 3 2 1