

- (2) 3/8-16 BOLT
- (2) 3/8 FLAT WASHER
- (2) 3/8 SPLIT LOCK WASHER

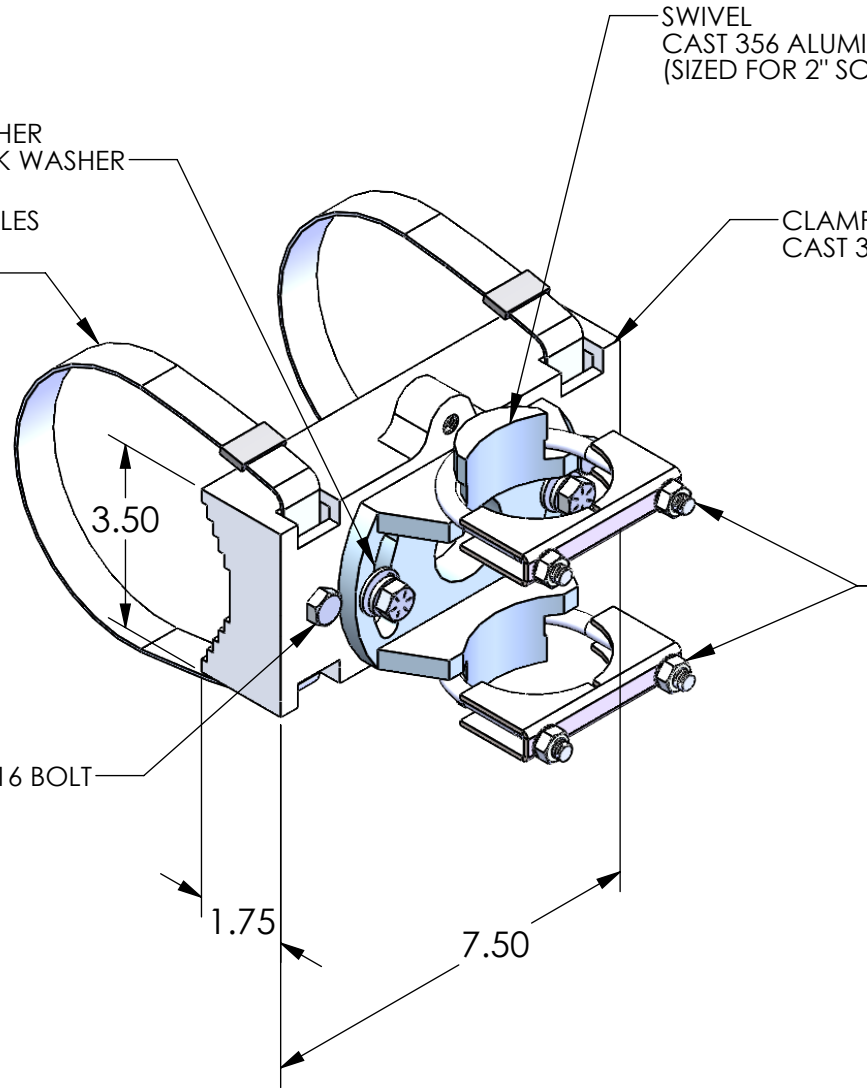
- (2) BAND & BUCKLES
- 304 SS (BANDS)
- 316 SS (BUCKLES)

SWIVEL
CAST 356 ALUMINUM
(SIZED FOR 2" SCH. 40 PIPE)

CLAMP SADDLE
CAST 356 ALUMINUM

- (2) 5/16-18 U-BOLT
- (2) U-BOLT SADDLE
- (4) 5/16 KEPS NUTS

(2) 3/8-16 BOLT



BAND LENGTH	MAST ARM DIA.
29"	3" - 7"
42"	7" - 11"
59"	12" - 15"
70"	18" - 21"

PART NUMBER
SB29-SCK-2

BAND LENGTH

NOTES:
1. YELLOW ZINC DICHROMATE PLATED FASTENERS, STAINLESS STEEL HARDWARE AVAILABLE.

THE INFORMATION CONTAINED IN THIS DRAWING IS THE SOLE PROPERTY OF SKYBRACKET. ANY REPRODUCTION IN PART OR WHOLE WITHOUT THE WRITTEN PERMISSION OF SKYBRACKET IS PROHIBITED.



APPROVALS	BY	DATE
DRAWN	TRC	3/9/2021
SALES		
ENGINEERING		

TITLE		BAND CLAMP KIT (2" SCH. 40 PIPE)	
SIZE	DWG. NO.	REV.	
A	SB29-SCK-2	A	
DO NOT SCALE DRAWING		SCALE: NTS CAD FILE: SB29-SCK-2	SHEET 1 OF 1