

- (1) 5/16-18 U-BOLT
- (1) U-BOLT SADDLE
- (2) 5/16 KEPS NUTS

SWIVEL  
CAST 356  
ALUMINUM

ALUMINUM CHANNEL

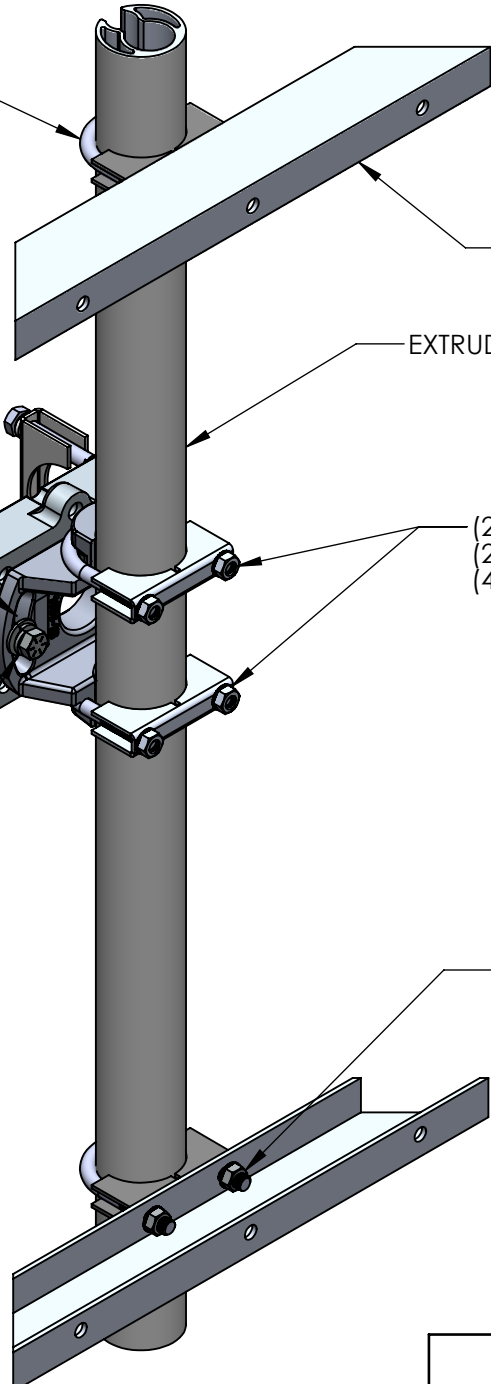
EXTRUDED ALUMINUM POLE

- (2) 5/16-18 U-BOLT
- (2) U-BOLT SADDLE
- (4) 5/16 KEPS NUTS

CLAMP SADDLE  
CAST 356 ALUMINUM

- (2) 3/8-16 BOLT
- (2) 3/8 FLAT WASHER
- (2) 3/8 SPLIT LOCK WASHER

- (1) 5/16-18 U-BOLT
- (1) U-BOLT SADDLE
- (2) 5/16 KEPS NUTS



POLE LENGTHS AVAILABLE
18", 24", 37", 46", 60", 74", 96", 120"

<b>PART NUMBER</b>
<b>SBTM-SBK-24TK-14</b>

CHANNEL LENGTHS AVAILABLE
8", 14", 23"

TUBE LENGTH \_\_\_\_\_  
CHANNEL LENGTH \_\_\_\_\_

**NOTES:**

1. YELLOW ZINC DICHROMATE PLATED FASTENERS, STAINLESS STEEL HARDWARE AVAILABLE.
2. AVAILABLE WITH CABLE STYLE CLAMP.

THE INFORMATION CONTAINED IN THIS DRAWING IS THE SOLE PROPERTY OF SKYBRACKET. ANY REPRODUCTION IN PART OR WHOLE WITHOUT THE WRITTEN PERMISSION OF SKYBRACKET IS PROHIBITED.



APPROVALS	BY	DATE
DRAWN	TRC	2/2/2024
SALES		
ENGINEERING		
DO NOT SCALE DRAWING		

TITLE		
SIGN KIT (TENON CLAMP)		
SIZE	DWG. NO.	REV.
A	SBTM-SBK-24TK-14	A
SCALE: NTS	CAD FILE: SBTM-SBK-24TK-14	SHEET 1 OF 1