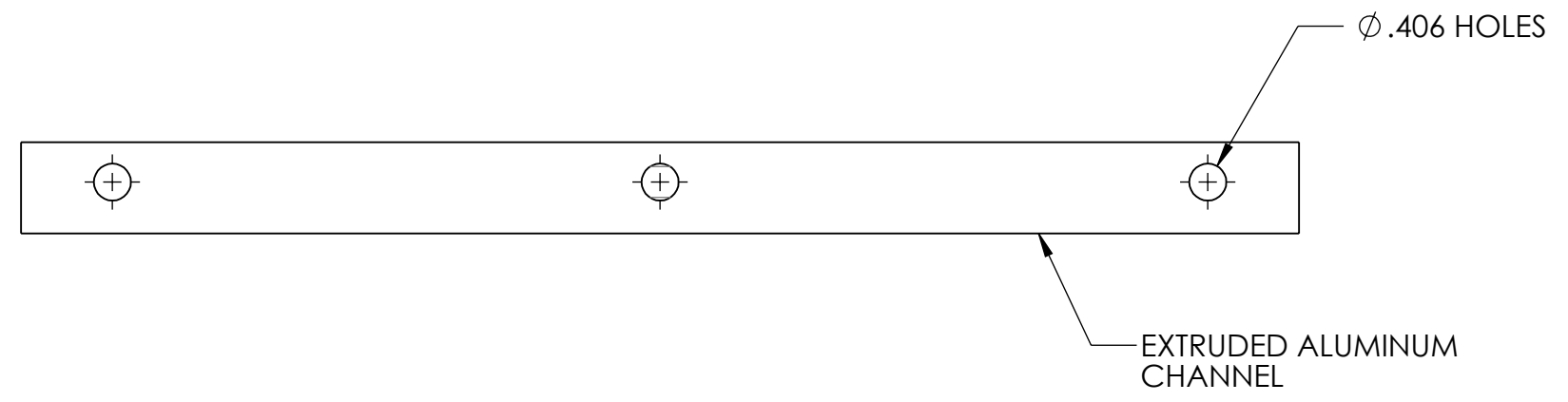
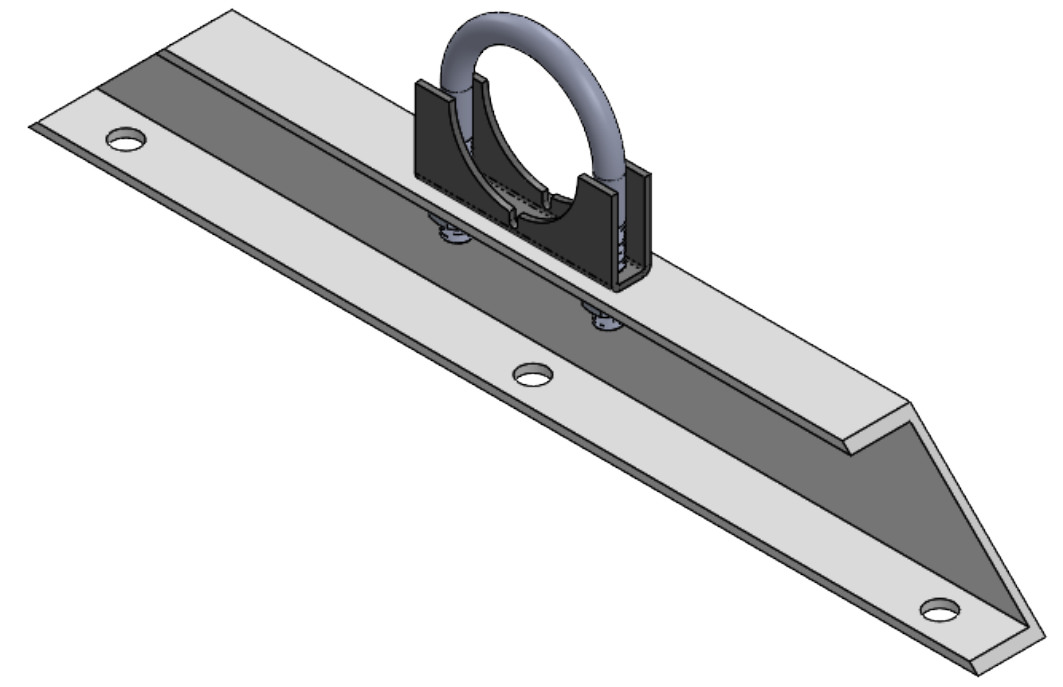
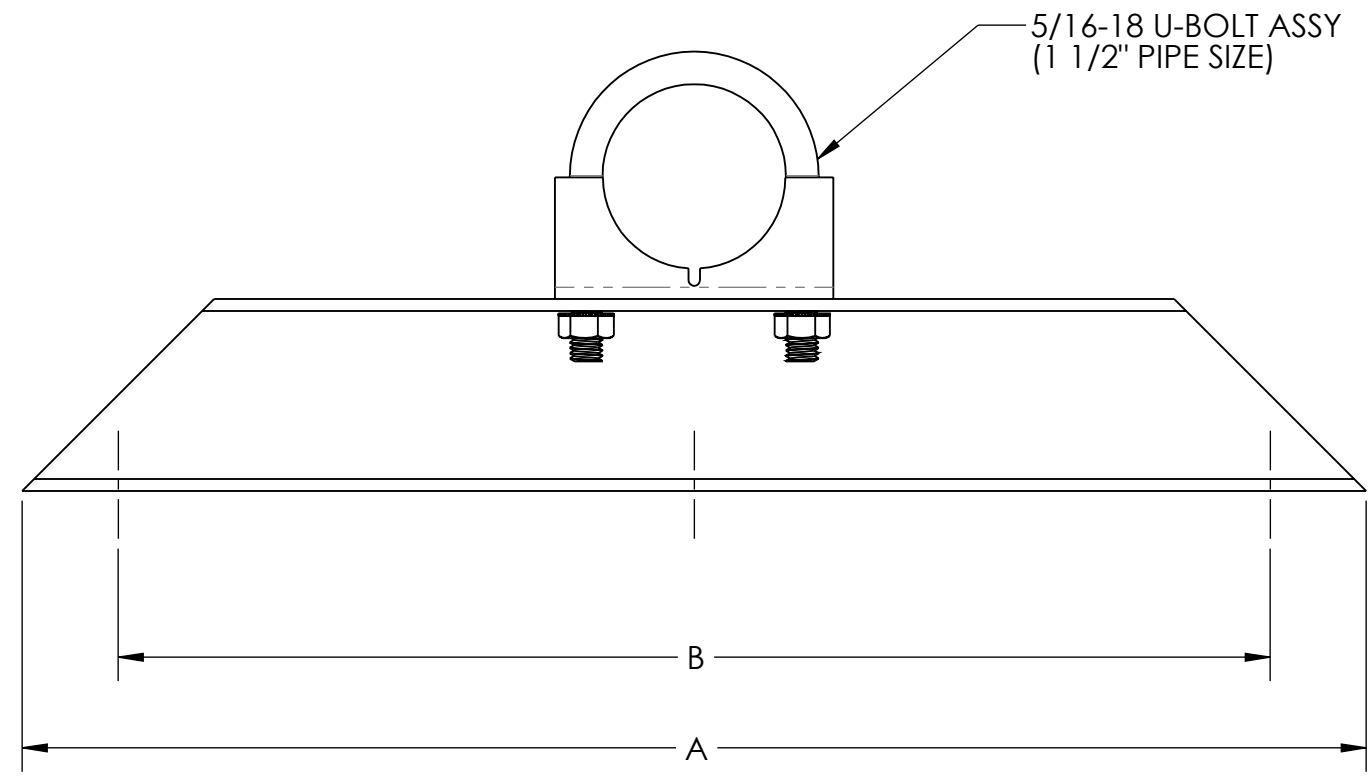


8 7 6 5 4 3 2 1


D
C
B
A

D
C
B



NOTE: 2 CHANNEL ASSEMBLIES PER KIT.

SS-SB-SB2-23	24	22
SS-SB-SB2-14	14	12
SS-SB-SB2-8	8	6
PART NUMBER	DIM A	DIM B

UNLESS OTHERWISE SPECIFIED DIMENSIONS ARE IN INCHES TOLERANCES ARE: FRACTIONS DECIMALS ANGLES .XX +/- .010 +/- 1/2 .XXX +/- .005		CAD GENERATED DRAWING, DO NOT MANUALLY UPDATE			
MATERIAL N/A		APPROVALS	DATE	CHANNEL KIT DATA SHEET (STAINLESS STEEL)	
FINISH --		DRAWN TRC	12/12/22	SIZE B	DWG. NO. SS-SB-SB2-8
DO NOT SCALE DRAWING		CHECKED		SCALE: NTS	CAD FILE:
		RESP ENG		SHEET	1 OF 1
		MFG ENG		REV. A	
		QUAL ENG			

THE INFORMATION CONTAINED IN THIS DRAWING IS THE SOLE PROPERTY OF OLSON ALUMINUM CASTINGS. ANY REPRODUCTION IN PART OR WHOLE WITHOUT THE WRITTEN PERMISSION OF OLSON ALUMINUM CASTINGS IS PROHIBITED.

8 7 6 5 4 3 2 1