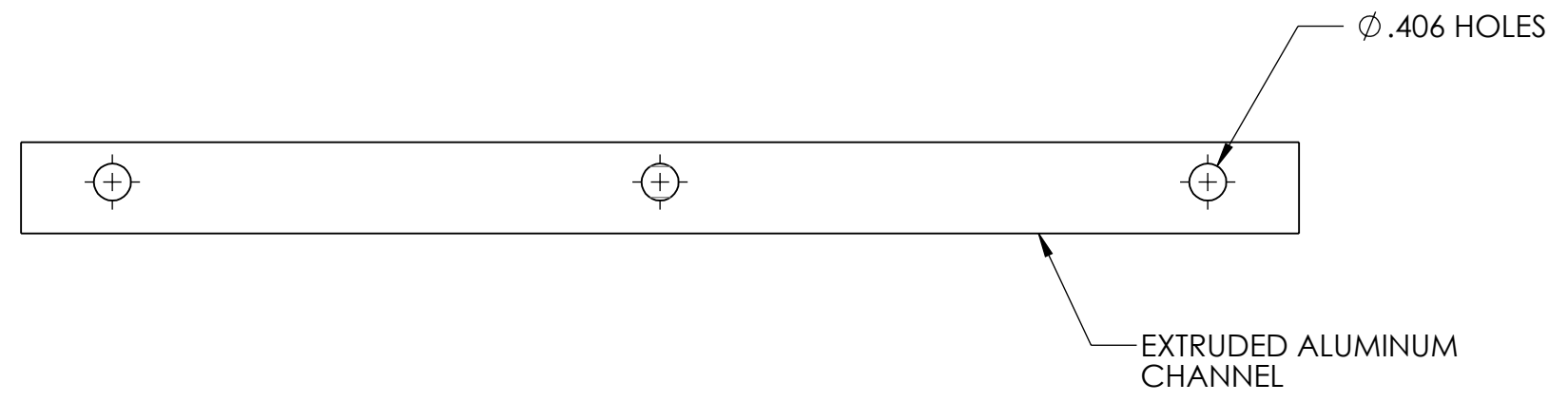
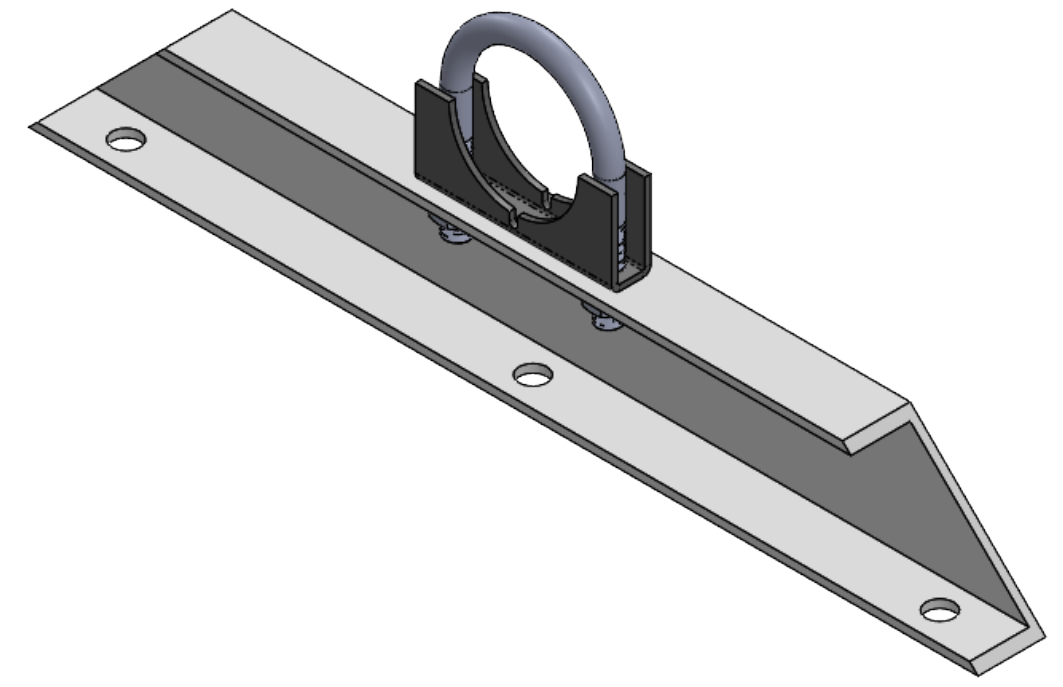
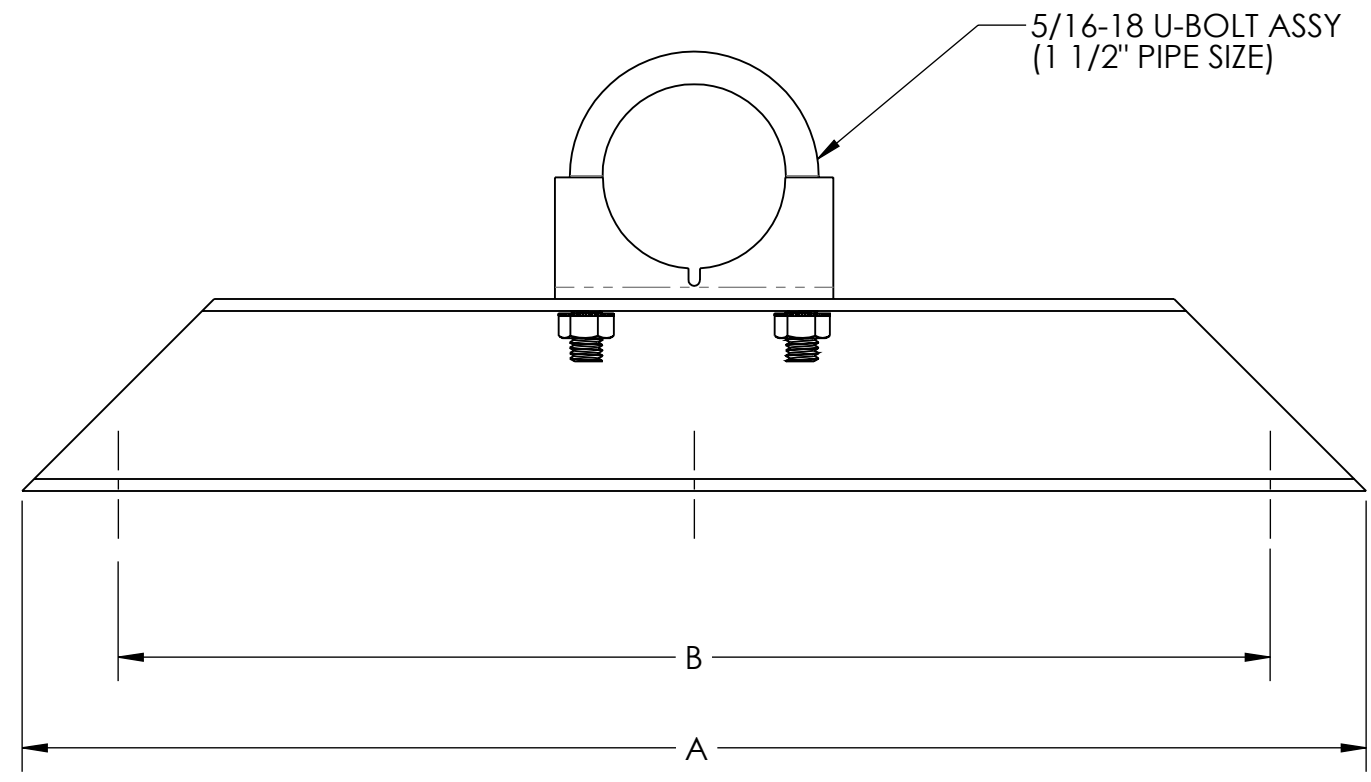



8 7 6 5 4 3 2 1

D  
C  
B  
A



NOTE: 3 CHANNEL ASSEMBLIES PER KIT.

SS-SB-SB3-23	24	22
SS-SB-SB3-14	14	12
SS-SB-SB3-8	8	6
PART NUMBER	DIM A	DIM B

UNLESS OTHERWISE SPECIFIED DIMENSIONS ARE IN INCHES TOLERANCES ARE: FRACTIONS DECIMALS ANGLES .XX +/- .010 +/- 1/2 .XXX +/- .005	CAD GENERATED DRAWING, DO NOT MANUALLY UPDATE		 <b>CHANNEL KIT DATA SHEET (STAINLESS STEEL)</b>
	APPROVALS	DATE	
	DRAWN TRC	12/12/22	
	CHECKED		
	RESP ENG		
MATERIAL N/A	MFG ENG		SIZE B
FINISH --	QUAL ENG		DWG. NO. SS-SB-SB3-8
DO NOT SCALE DRAWING			REV. A
SCALE: NTS		CAD FILE:	SHEET 1 OF 1

THE INFORMATION CONTAINED IN THIS DRAWING IS THE SOLE PROPERTY OF OLSON ALUMINUM CASTINGS. ANY REPRODUCTION IN PART OR WHOLE WITHOUT THE WRITTEN PERMISSION OF OLSON ALUMINUM CASTINGS IS PROHIBITED.

8 7 6 5 4 3 2 1