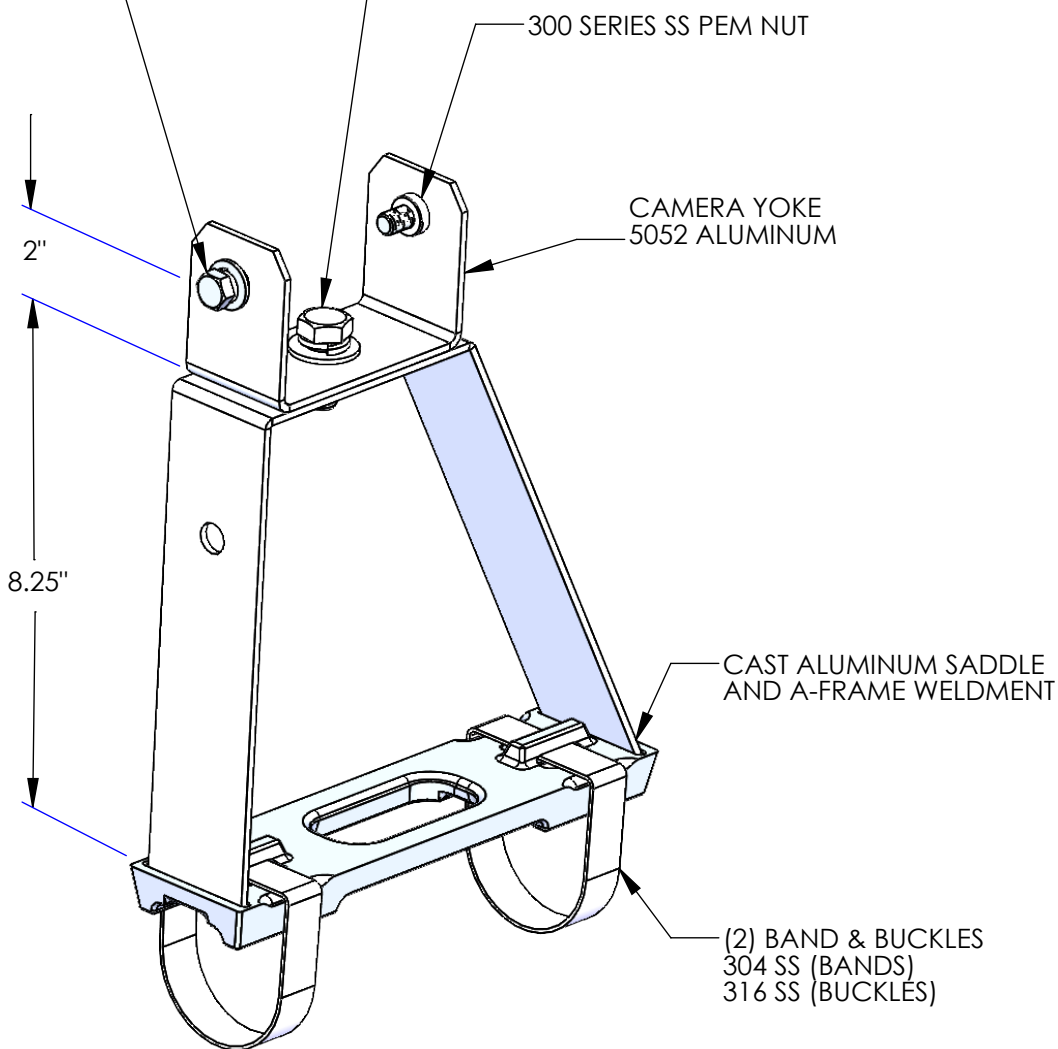


- (2) 3/8-16 BOLT
- (2) 3/8 FLAT WASHER
- (2) 3/8 SPLIT LOCK WASHER

- (1) 1/2-13 BOLT
- (1) 1/2 FLAT WASHER
- (1) 1/2 SPLIT LOCK WASHER
- (1) 1/2 HEX NUT



| |
|--------------------|
| PART NUMBER |
| SS-SB29-CM |

BAND LENGTH

| BAND LENGTH | MAST ARM DIA. |
|-------------|---------------|
| 29" | 3" - 7" |
| 42" | 7" - 11" |
| 59" | 12" - 15" |
| 70" | 18" - 21" |

NOTES:
1. STAINLESS STEEL FASTENERS.

THE INFORMATION CONTAINED IN THIS DRAWING IS THE SOLE PROPERTY OF SKYBRACKET. ANY REPRODUCTION IN PART OR WHOLE WITHOUT THE WRITTEN PERMISSION OF SKYBRACKET IS PROHIBITED.



| | | |
|-------------|-----|--------|
| APPROVALS | BY | DATE |
| DRAWN | TRC | 7/1/11 |
| SALES | | |
| ENGINEERING | | |

| | | | |
|-------|------------|-----------------------|--|
| TITLE | | STANDARD CAMERA MOUNT | |
| SIZE | DWG. NO. | REV. | |
| A | SS-SB29-CM | B | |