

- (2) 3/8-16 BOLT
- (2) 3/8 FLAT WASHER
- (2) 3/8 SPLIT LOCK WASHER

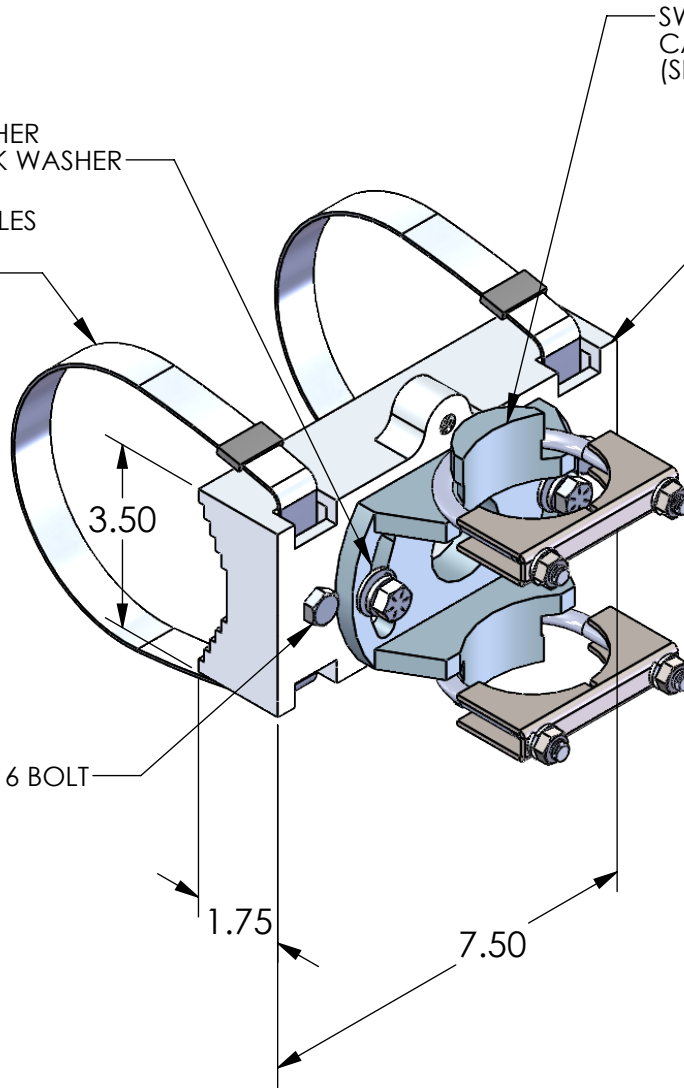
- (2) BAND & BUCKLES
- 304 SS (BANDS)
- 316 SS (BUCKLES)

SWIVEL
CAST 356 ALUMINUM
(SIZED FOR 2" SCH. 40 ALUMINUM PIPE)

CLAMP SADDLE
CAST 356 ALUMINUM

- (2) 5/16-18 U-BOLT
- (2) U-BOLT SADDLE
- (4) 5/16 NUTS
- (4) 5/16 LOCK WASHERS

(2) 3/8-16 BOLT



PART NUMBER
SS-SB29-SCK-2

BAND LENGTH

BAND LENGTH	MAST ARM DIA.
29"	3" - 7"
42"	7" - 11"
59"	12" - 15"
70"	18" - 21"

NOTES:
1. STAINLESS STEEL HARDWARE.

THE INFORMATION CONTAINED IN THIS DRAWING IS THE SOLE PROPERTY OF SKYBRACKET. ANY REPRODUCTION IN PART OR WHOLE WITHOUT THE WRITTEN PERMISSION OF SKYBRACKET IS PROHIBITED.



APPROVALS	BY	DATE
DRAWN	TRC	3/9/2021
SALES		
ENGINEERING		

TITLE		BAND CLAMP KIT (2" SCH. 40 PIPE)	
SIZE	DWG. NO.	REV.	
A	SS-SB29-SCK-2	A	
DO NOT SCALE DRAWING		SCALE: NTS CAD FILE: SS-SB29-SCK-2	SHEET 1 OF 1